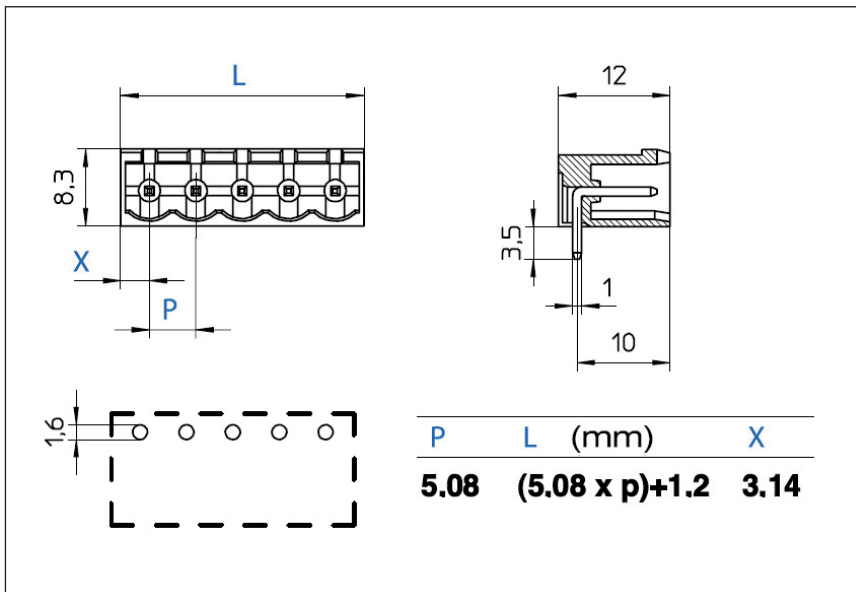


# Standard Pluggable PCB Terminal Block Horizontal Header CPM5.08-SQ

The CPM family of printed circuit board headers is used with the CPF and MRT3 pluggable terminal blocks. The CPM is available in both a vertical and 90 degree version and with either open or closed ends. A feature of the CPM header is the molded-in polarization that insures proper mating of the plug. The CPM headers are available in 2 to 24 positions and have a UL rating of 12 amps, 300 volts. The standard color is green, however other colors are available upon request.

## SPECIFICATIONS

Housing Material:	PA68 Polyamide, Flammable UL94V0
Housing Color:	Green
Pin:	Tin Plated Brass
PCB Mounting Hole:	1.6 mm
Nominal Current:	12A
Voltage:	300V
Temperature Range:	-30° C to 85° C



Item	No. of Poles	Length (mm)
CPM5.08-SQ	2	11.36
CPM5.08-SQ	3	16.44
CPM5.08-SQ	4	21.52
CPM5.08-SQ	5	26.60
CPM5.08-SQ	6	31.68
CPM5.08-SQ	7	36.76
CPM5.08-SQ	8	41.84
CPM5.08-SQ	9	46.92
CPM5.08-SQ	10	52.0
CPM5.08-SQ	11	57.08
CPM5.08-SQ	12	62.16
CPM5.08-SQ	13	67.24
CPM5.08-SQ	14	72.32
CPM5.08-SQ	15	77.40
CPM5.08-SQ	16	82.48
CPM5.08-SQ	17	87.56
CPM5.08-SQ	18	92.64
CPM5.08-SQ	19	97.72
CPM5.08-SQ	20	102.80
CPM5.08-SQ	21	107.88
CPM5.08-SQ	22	112.96
CPM5.08-SQ	23	118.04
CPM5.08-SQ	24	123.12